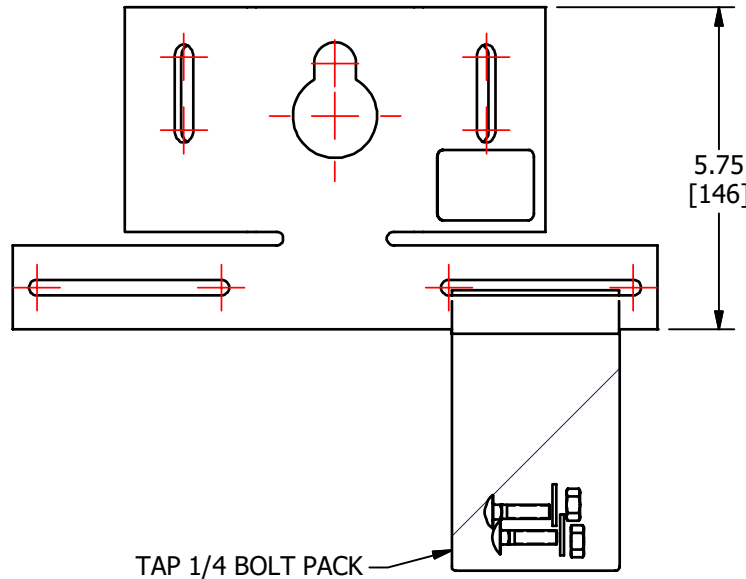
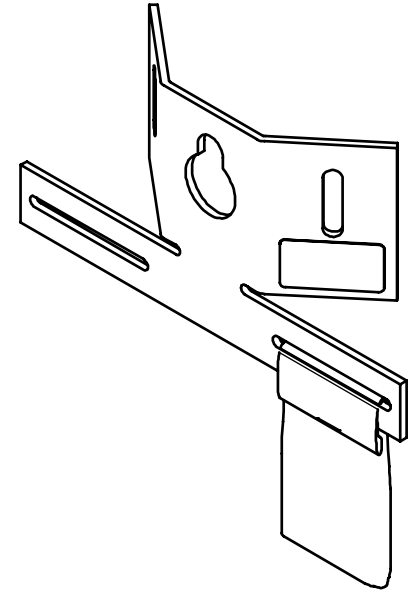
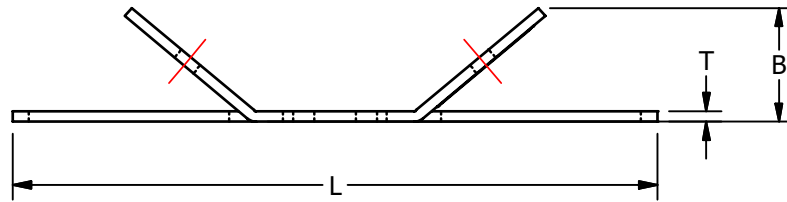


| S.NO | CATALOG NUMBER | L | B | T |
|------|----------------|----------------|--------------|------------|
| 1 | BAPMB | 11.50 [292] | 2.03 [52] | .19 [5] |
| 2 | BAPMB-7 | 7.50 [191] | 2.07 [53] | .19 [5] |
| 3 | BAPMBL | 11.50 [292] | 1.98 [50] | .13 [3] |
| 4 | BAPMBL-7 | 7.50 [191] | 2.02 [51] | .13 [3] |



NOTES:

- MATERIAL: ALUMINUM
- POLE AND FLAT MOUNTING BRACKETS ARE FOR MOUNTING A VARIETY OF EQUIPMENT ENCLOSURES TO POLES AND FLAT SURFACES.
- BAPMBC PLATE WITH 6" FLAT BAR WITH (2) 3/8" HOLES FOR MOUNTING H-BAR TO POLE OR FLATSURFACE.
- THIS BRACKET IS DESIGNED TO MOUNT ANY LENGTH H-BAR.
- 7" HEAVY DUTY BAR WITH 2 NUTS & BOLTS

| | | | | | | | | |
|------|---------------------|-----|----------|-------|------------------------------------|----------------------|--|------------------|
| | | | | | TO ORDER CMC PRODUCTS | DRAWN BY: TS | NAME OF PART: | CAT. NO.: |
| | | | | | UNITED STATES 1-513-860-4455 | 04-06-20 | POLE AND FLAT SURFACE MOUNTING BRACKET | SEE TABLE |
| | | | | | CANADA 1-800-361-6975 | CHECKED BY: | DWG NO: | A |
| | | | | | MEXICO 011-52-722-265-4400 | | UB20700062-S (CHARTED) | |
| A | NEW DRAWING CREATED | | 04-06-20 | TS | FOR PRODUCT INFO www.cmlugs.com | DRAWING NOT TO SCALE | | SHEET NO: 1 OF 1 |
| REV. | DESCRIPTION | ECN | DATE | INIT. | | | | |

